



Contents

1.Descriptions.....	2
2.Feature.....	2
3.Application.....	2
4.Pin configuration.....	3
5.Pin Descriptions.....	3
6.Absolute operation maximum ratings.....	4
7.DC/AC Electrical characteristic (Referenced to VDD=5V, VSS=0V).....	4
8.Application circuit.....	5
9. Dimension.....	6,7



1. Descriptions

The AWD433R is a low cost ASK Receiver. The device is provided in 12 pin and is designed to provide a phased locked frequency source for use in local oscillator or transmitter applications. The AWD433R can be used in applications in the North American and European UHF bands. The AWD433R integrated VCO , phase detector, prescaler, LNA, Mixer, IF amplifier , peak detector, data decision and reference oscillator require only the addition of an external crystal to provide a complete phase-locked loop.

2. Feature

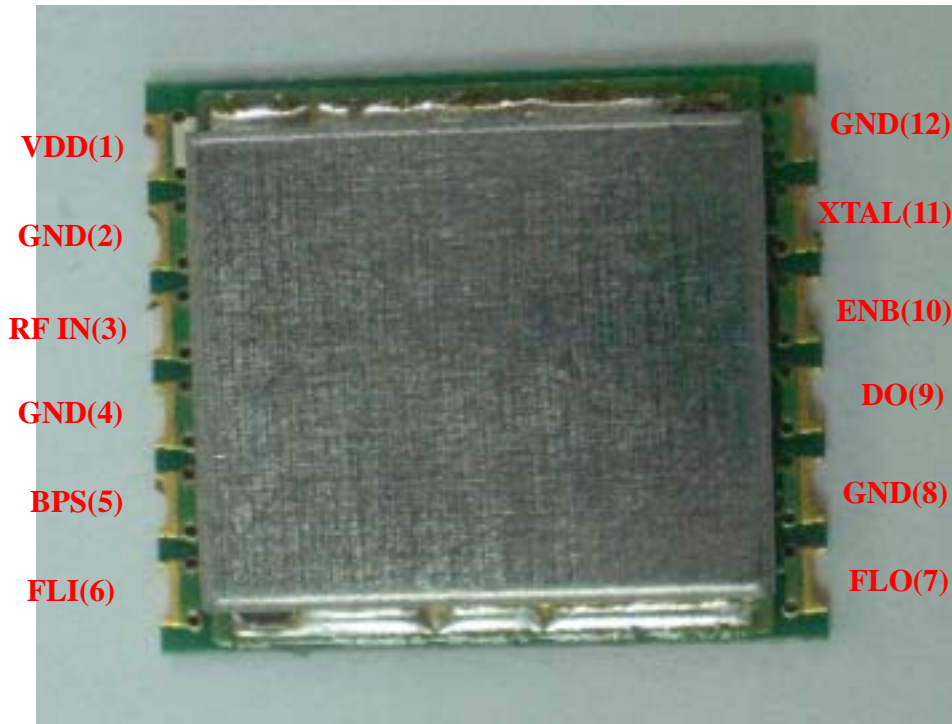
- * Integrated PLL with on board VCO and loop filter
- * 3.6V to 5V Supply Voltage
- * Power Down Capability
- * 433.92MHz Frequency Operation

3. Application

- * remote control system
- * Bag Reminder
- * Garage door controllers
- * Car alarm system
- * Security system



4. PIN configuration



5. PIN Descriptions

PIN	PIN NAME	PIN FUNCTION
1	VDD	VDD is supplied to this pin
2,4,8,12	GND	Ground.
3	RF IN	This pin for Receiver RF input ,connect this pin to the antenna.
5	BPS	By pass.
6	FLI	Filter in.
7	FLO	Filter out.
9	DO	Data output.
10	ENB	Power down control pin , Low for nominal operating.
11	XTAL	Crystal input.



6. Absolute Operation Maximum Ratings

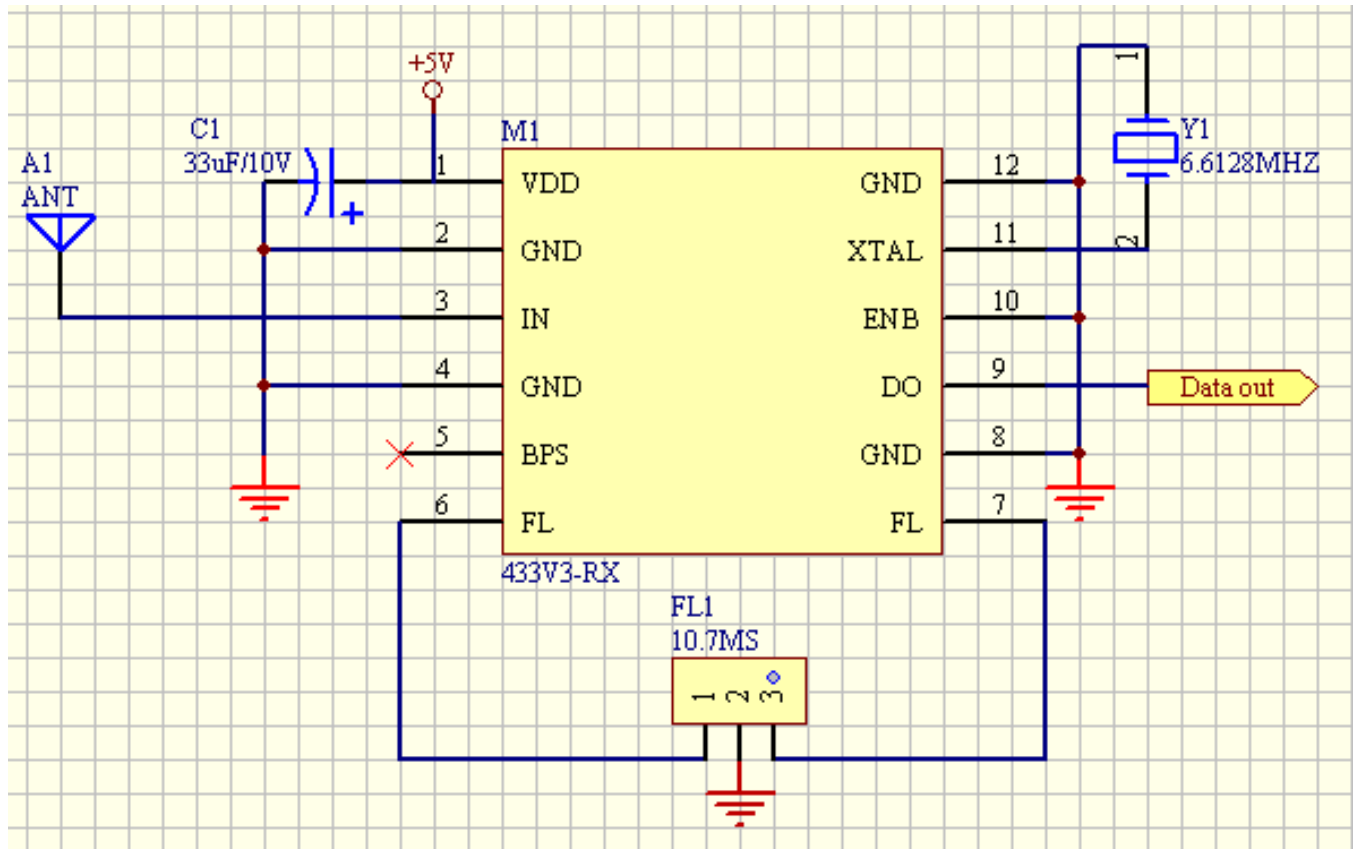
RATING	SYMBOL	VALUE	UNIT
DC Supply Voltage	Vdd	-0.3 To +6v	V
Input Voltage	Vin	-0.5 To Vdd +5v	V
Operating Ambient Temperature	Ta	-40 To +80	

7. DC/AC Electrical characteristic (Referenced to VDD=5V , VSS=0V)

Parameter	Min	Typ	Max	Unit
Operating Temperature	-10		+60	
Operating Voltage Limit	3.6		5.5	V
Frequency Range		433.92		MHz
Demodulation	ASK			
Data rate		10		KHz
Data output level	0.3		Vdd-0.3	V
Working current		17		mA
IF frequency Range		10.7		MHz
sensitivity@50		-95		dBm

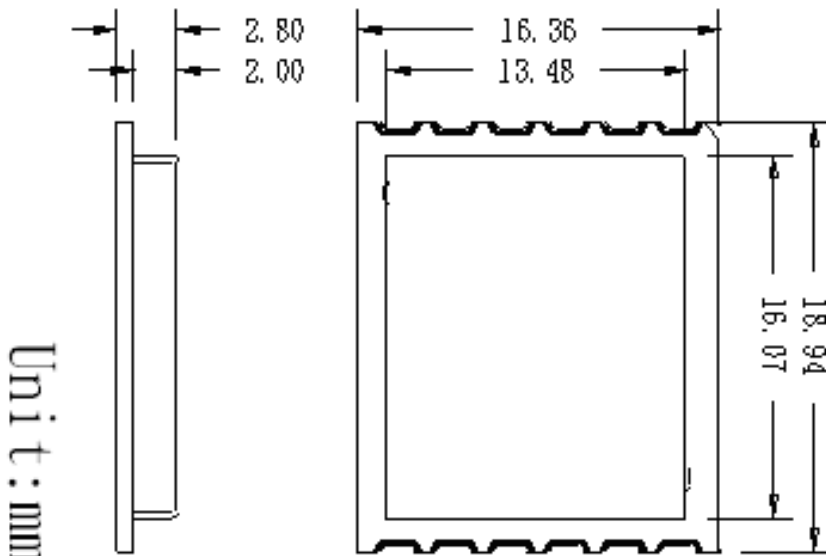


8. Application circuit





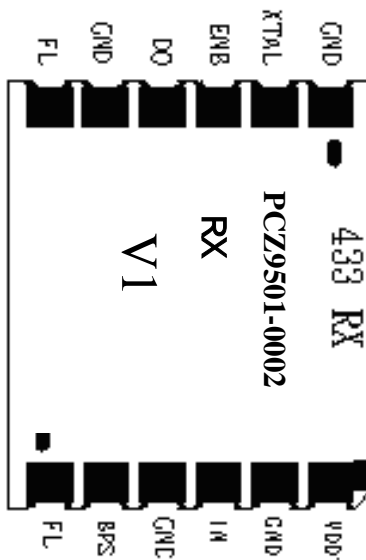
9. Dimension



Unit:mm

Tolerance:± 0.10

RX(2-1)





RX(2-2)

