



大紘科技

AWD433T-S

UHF ASK LINK Transmitter Module

DATE :04,23,2009

Version: A

doc no :

DATA SHEET



AWD433T-S

UHF ASK LINK Transmitter Module

AIRWAVE TECHNOLOGIES INC.

4F, NO.9. INDUSTRY E. 9TH ROAD,
SCIENCE-BASED INDUSTRIAL PARK,
HSINCHU, TAIWAN, R.O.C.

Tel: 886-3-577-8099

Fax: 886-3-577-8199

大紘科技股份有限公司

新竹 科學工業園區
工業東九路 9 號 4 樓

電話: 03-577-8099





Contents

1. Descriptions.....3

2. Feature.....3

3. Application.....3

4. Function block.....4

5. Pin configuration.....5

6. Pin Descriptions.....5

7. Absolute operation maximum ratings.....6

8. DC/AC Electrical characteristic.....6

9. Application circuit.7

10. Dimension.....8,9

**1. Descriptions:**

The AWD433T-S is a low cost ASK transmitter. The device is designed to provide a phased locked frequency source for use in local oscillator or transmitter applications. The AWD433T-S can be used in applications in the North American and European UHF bands. The AWD433T-S integrated VCO , phase detector, prescaler, and reference oscillator

2. Feature:

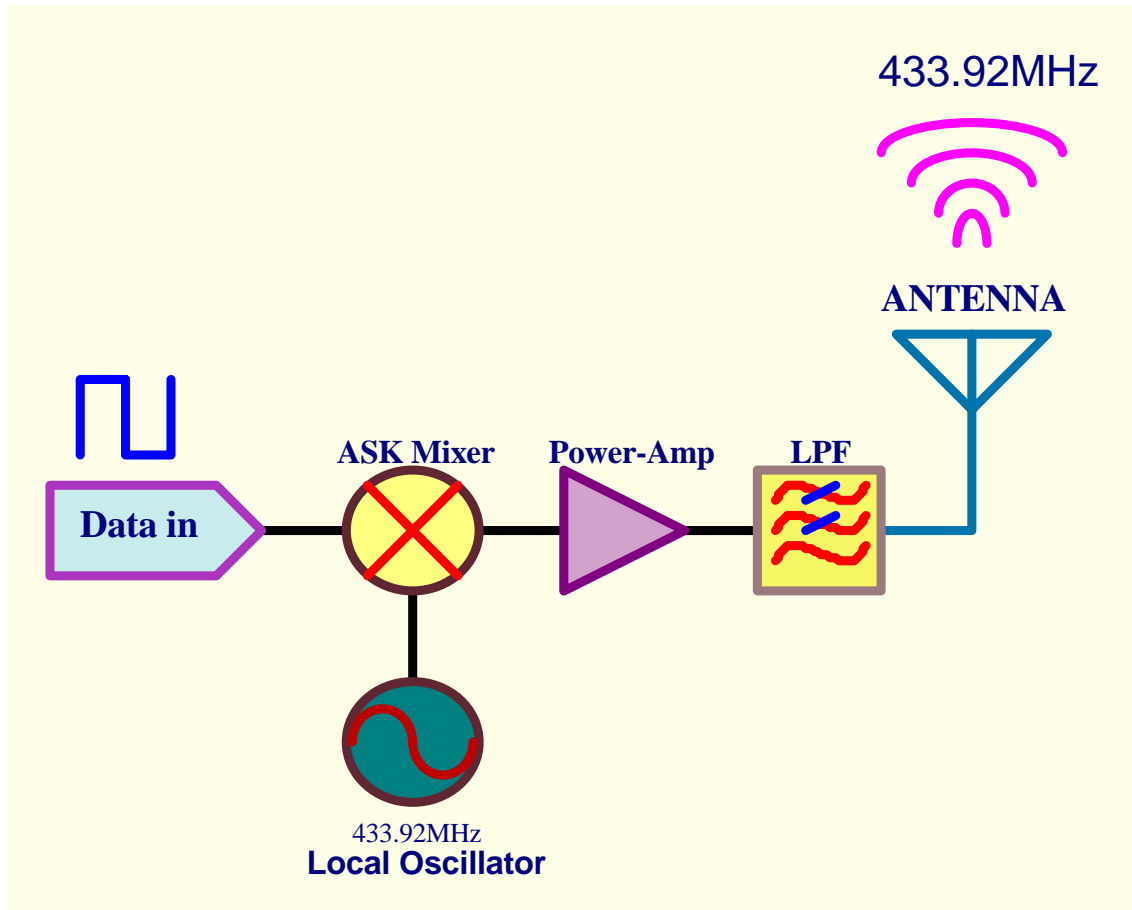
- * Integrated PLL Loop Filter
- * Supply Voltage 2.5V to 5V in the Temperature Range of -20°C to $+85^{\circ}\text{C}$
- * Easy to Design-in Due to Excellent Isolation of the PLL from the PA and Power Supply
- * Power Down Capability

3. Application:

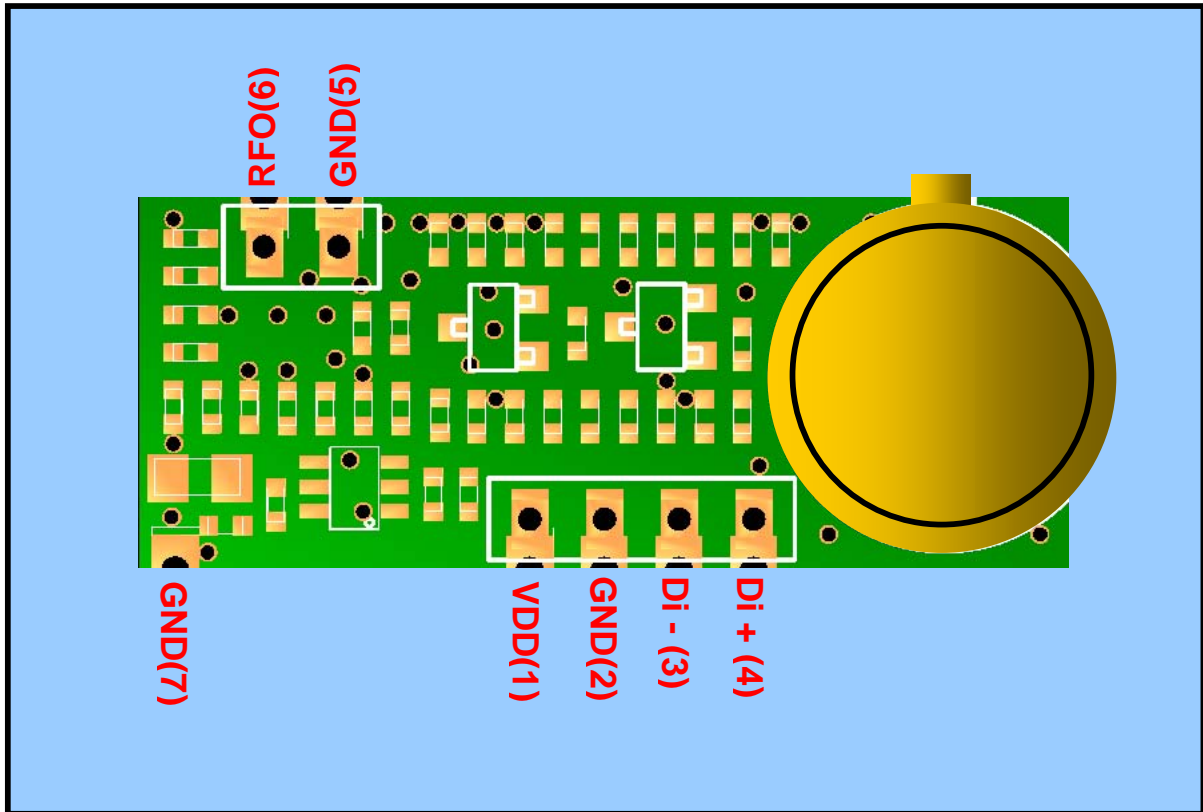
- * Remote control system
- * Bag Reminder
- * Garage door controllers
- * Car alarm system
- * Security system



4. Function block:



5. PIN configuration:



6. PIN Descriptions:

| PIN | NAME | Descriptions |
|-----|--------|---------------------------|
| 1 | VDD | VDD is supply to this pin |
| 2 | GND | Ground |
| 3 | Di - | Data input pin |
| 4 | Di + | Data input pin |
| 5 | RF_GND | RF_Ground |
| 6 | RF_OUT | Transmitter output |
| 7 | GND | Ground |

**7. Absolute Maximum Ratings:**

Stresses beyond those listed under “Absolute Maximum Ratings” may cause permanent damage to the device. This is a stress rating only and functional operation of the device at these or any other conditions beyond those indicated in the operational sections of this specification is not implied. Exposure to absolute maximum rating conditions for extended periods may affect device reliability.

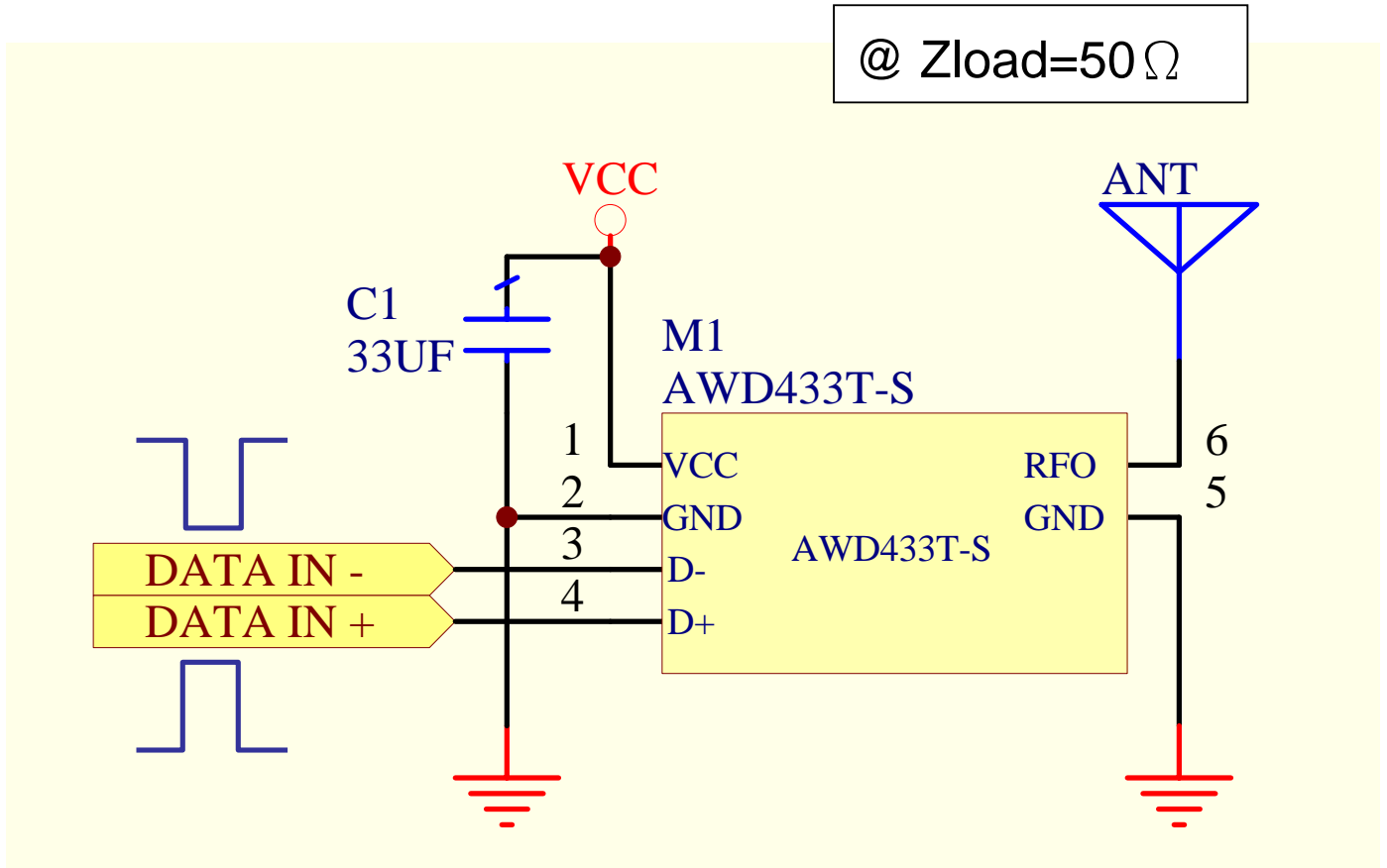
| Parameters | Symbol | Minimum | Maximum | Unit |
|---------------------|------------------|---------|---------|------|
| Supply voltage | VDD | | 7 | V |
| Power dissipation | P _{tot} | | 200 | mW |
| Storage temperature | T _{stg} | -25 | 125 | °C |

8. DC/AC Electrical characteristic:

| Parameters | Min. | Typ. | Max. | Unit |
|---|--------|------|------|------|
| Supply voltage | 2.5 | 5 | 6 | V |
| Output Power @VDD=5V Z _{load} =50Ω | - | 10 | - | dBm |
| Operating temperature | -20 | - | 70 | °C |
| Operating Frequency | 433.92 | | | MHz |
| Modulation | ASK | | | |
| Frequency stability | - | ±100 | - | KHz |
| Data Rates | - | - | 60 | KHz |
| Standby current | - | - | 100 | uA |
| Working current | - | 25 | - | mA |
| Data input Voltage | 0 | - | VCC | V |



9. Application circuit:



10. Dimension: (Unit=mm)

