



Description

Airwave 2.4GHz Audio/Video wireless RF module contains one Transmitter and one Receiver. Using of the most popular 2.4GHz ISM band and designed with high reliability. Airwave RF module is compliance with the criteria of FCC and R&TTE which can transmit/receive a wide band audio & video signals up to 300 feet in open area.

Features

- Worldwide 2.4GHz ISM band
- Conform with R&TTE & FCC stipulation
- Compact size and low power consumption
- Highly efficient FM-FM modulation/demodulation scheme
- Compatible with both NTSC and PAL video formats
- Integrating Audio/Video input and output into one module base-band PCB
- No external Audio circuit needed
- Channel selection is four channel and default value is ch4 (not enable). Other channel can be selected by pulling low to enable.

TECHNICAL SPECIFICATION

General

Operation Frequency Range	2400 ~ 2483MHz
Channel Selection	PLL Synthesizer, 4CH.
Channel Frequency	Ch1: 2414MHz, CH2: 2432MHz, CH3: 2450MHz, CH4: 2468MHz
Video-Audio Modulation/Demodulation Type	FM-FM
Operating Ambient Temperature	-10 ~ 60

AIRWAVE TECHNOLOGIES INC.



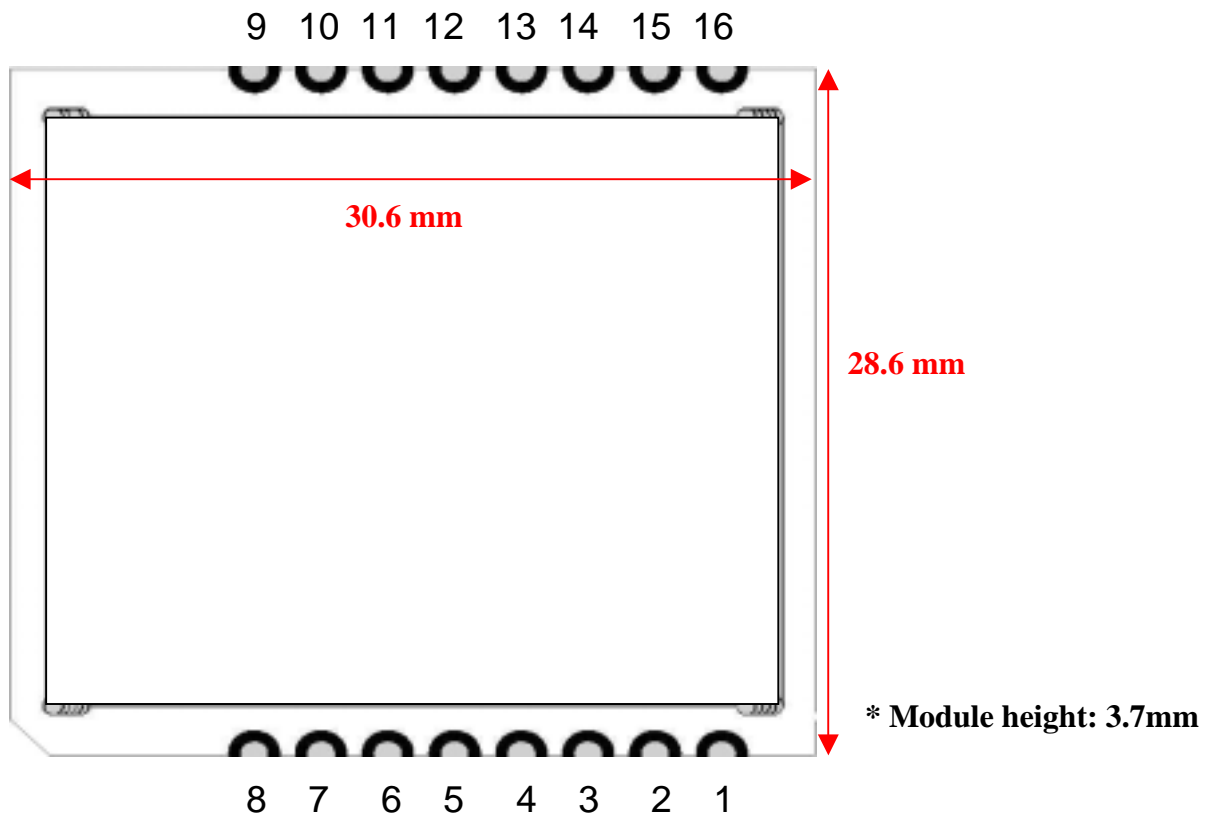
AWM630TX

2.4GHz Video/Audio RF Module

Transmitter

Supply Voltage	DC + 5V (± 2%)
Supply Current	55mA, typ.
Output Power	10dBm ± 1dBm (CE) 0dBm ± 1dBm (FCC)
2.4GHz Carrier Frequency Accuracy	±100KHz, typ.
Antenna Port Impedance	50
Video Input Impedance	75
Video Input Level	1V _{P-P} , typ.
Audio Input Level	3V _{P-P} , max.

Pad Description



AIRWAVE TECHNOLOGIES INC.



AWM630TX

2.4GHz Video/Audio RF Module

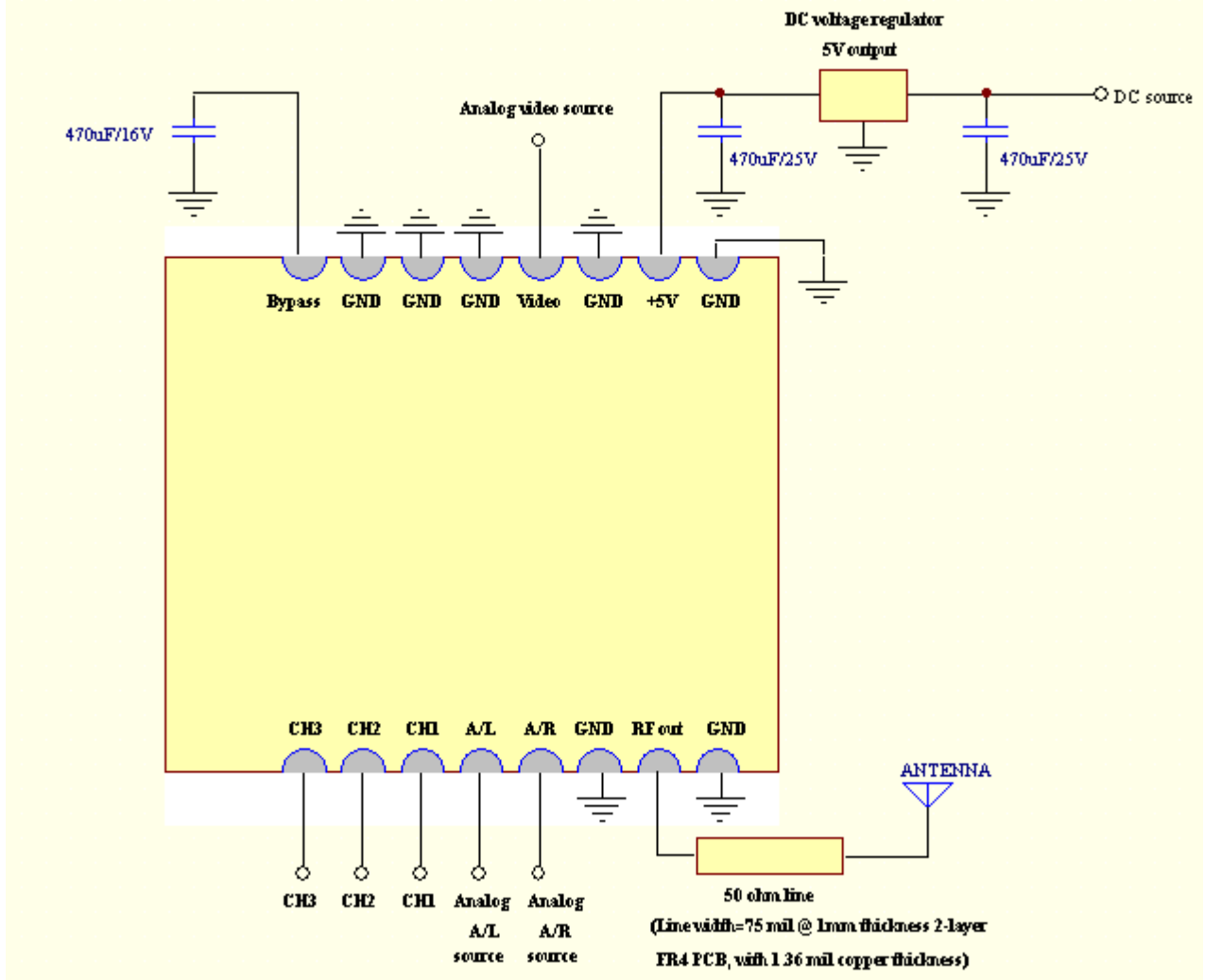
(NOTE: Channel selection default value is ch 4)

Pin	Function	Pin	Function
1	GND	9	Bypass
2	RF out	10	GND
3	GND	11	GND
4	Audio/R in	12	GND
5	Audio/L in	13	Video in
6	CH1	14	GND
7	CH2	15	DC +5V
8	CH3	16	GND

AIRWAVE TECHNOLOGIES INC.

Application Schematic

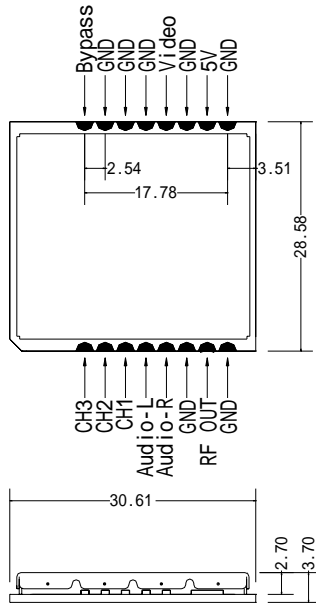
< AWM630TX Reference Application Schematic >



AIRWAVE TECHNOLOGIES INC.

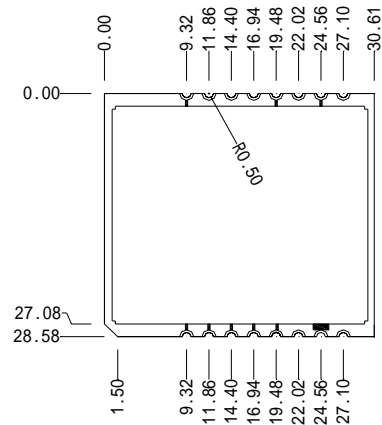
Dimension

AWM630-TX(一)



Unit:mm Tolerance:± 0.15

AWM630-TX(二)



Unit:mm Tolerance:± 0.15

AIRWAVE TECHNOLOGIES INC.