

FOR	Company	
	ATTN	

保密宣告
(Classified Info.)

本文列為機密文件，受雙方 **NDA(Non-Disclose Agreement)** 所規範。
 基此，請妥善保管文件，不可外洩給與合約無關之第三者造成雙方之損失。
 The information contained herein is the exclusive property of Airwave Technologies Inc. and shall not be distributed, reproduced, or disclosed in whole or in part without prior written permission of Airwave Technologies Inc.

DATA SHEET



AWM666A RX MODULE

5.8 GHz Wideband FM Receiver

承認	承認	品保	工程
Dr. T.H. Chen	Ben Huang	Sandy Chen	Shih Chuan Lin
Approve	Approve	QA	E/E



AIRWAVE TECHNOLOGIES INC.

Contents

1. Descriptions	4
2. Feature	4
3. Application	4
4. Function block	5
5. Pin define	5
6. Pin descriptions	6
7. Absolute maximum ratings	8
8. DC/AC Electrical characteristic	8
9. BOM of Demo Board	9
10. Demo Board circuit schematic	10
11. BB PCB layout design guide	11
12. AWM666A_RX Dimensions	13
13. Recommended BB PCB layout for AWM666A_RX	14

1. Descriptions:

Airwave 5.8GHz Audio/Video wireless RF module contains one Transmitter and one Receiver. Using of the most popular 5.8GHz ISM band and being designed with high reliability, Airwave RF module is compliance with the criteria of FCC and R&TTE which can transmit/receive a wide band audio & video signals up to 300 feet in open area. AWM666 RX module uses down conversion concept to convert the 5.8GHz RF Signal to 480 MHz IF signal, and then obtain base band via PLL FM demodulation IC by Airwave AWI5822.

2. Feature:

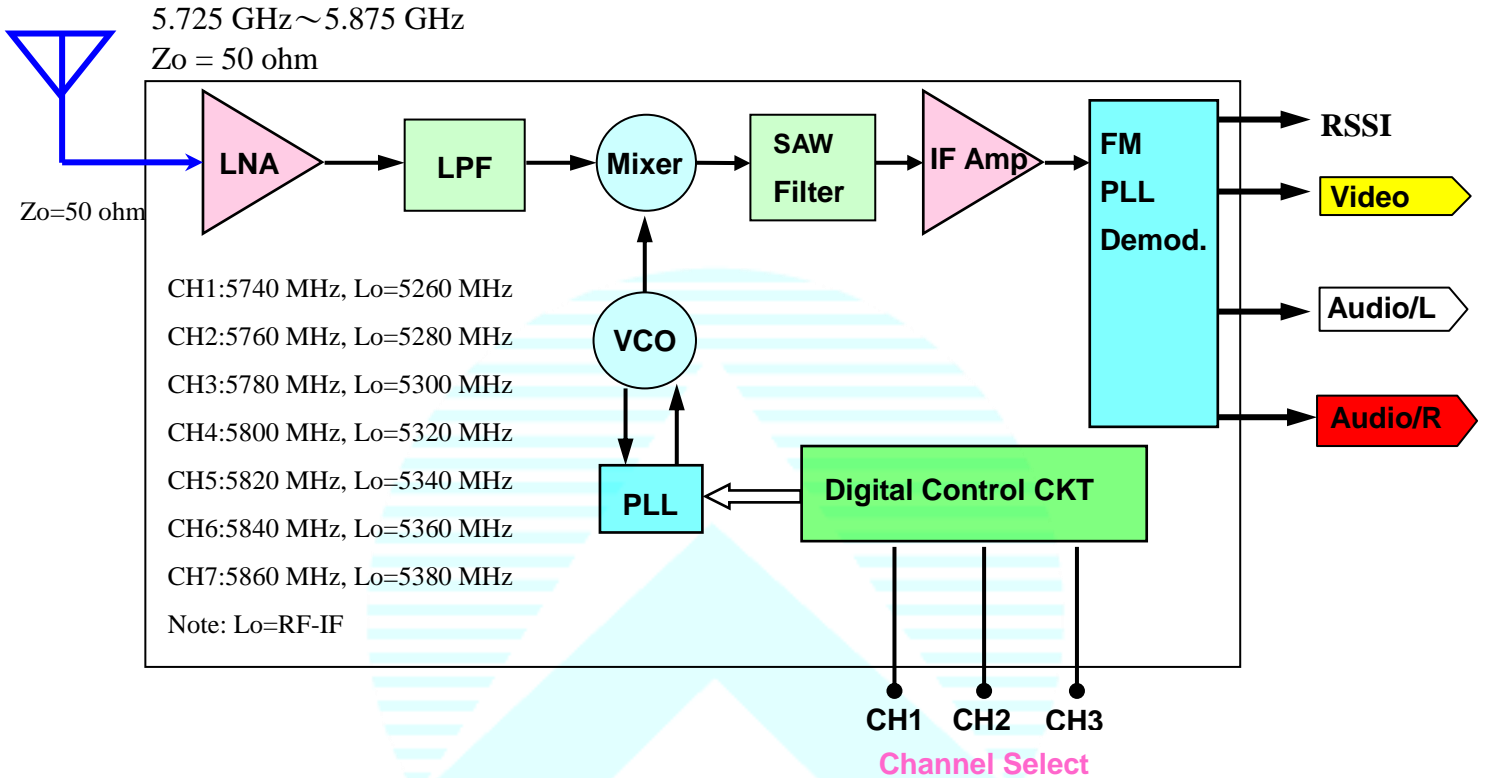
- Worldwide 5.8GHz ISM band (5725 MHz~5875 MHz).
- Conform to R&TTE & FCC stipulation.
- Compatible with both NTSC and PAL video formats.
- Compact size and low power consumption.
- Highly efficient FM-FM modulation/demodulation scheme.
- Integrating Audio/Video input and output into one module base band PCB.
- Provide with 7 selectable channels.
- Received signal strength indicator (RSSI).

3. Application:

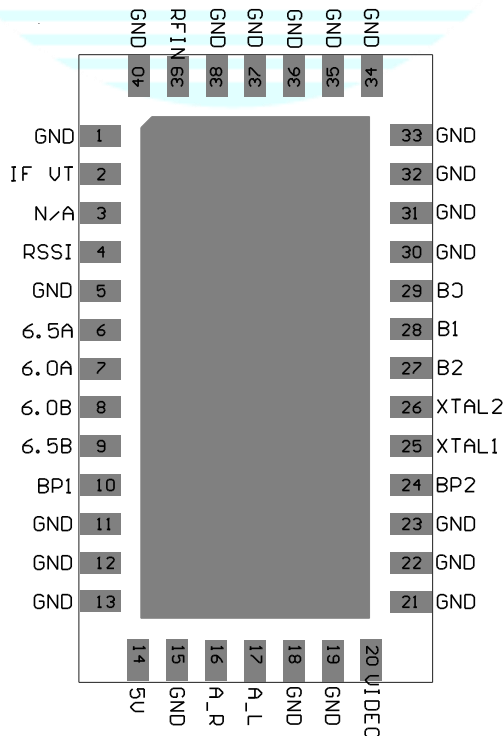
- AV Sender
- Baby Monitor
- Surveillance
- Wireless Camera

AIRWAVE TECHNOLOGIES INC.

4. Function block:



5. PIN define



AIRWAVE TECHNOLOGIES INC.

6. PIN descriptions:

PIN	NAME	Descriptions
1	GND	Ground.
2	IF_VT	480MHz VCO Tuning Voltage Control Input : Typical range of Vt is 0.9~1.3V
3	N/A	No connect
4	RSSI	Inversely proportional input signal strength : Typical range of Vt is 0.3~1.9V
5	GND	Ground.
6	6.5A	6.5MHz filter input
7	6.0A	6.0MHz filter input
8	6.0B	6.0MHz filter output
9	6.5B	6.5MHz filter output
10	BP1	Bypass capacitor. (1000 uf /16V)
11	GND	Ground.
12	GND	Ground.
13	GND	Ground.
14	5V	DC +5V power supply in
15	GND	Ground.
16	A_R	Right sound signal output.
17	A_L	Left sound signal output.
18	GND	Ground.
19	GND	Ground.
20	Video	Video signal output.
21	GND	Ground.
22	GND	Ground.
23	GND	Ground.
24	BP2	Bypass capacitor. (22 uf /16V)
25	XTAL2	External crystal connection pin 1
26	XTAL1	External crystal connection pin 2
27	B2	Channel select.
28	B1	Channel select.
29	B0	Channel select.
30	GND	Ground.
31	GND	Ground.
32	GND	Ground.
33	GND	Ground.
34	GND	Ground.
35	GND	Ground.
36	GND	Ground.
37	GND	Ground.
38	GND	Ground.
39	ANT	RF received signal input
40	GND	Ground.

AIRWAVE TECHNOLOGIES INC.

Channel selection are seven channels by Pin27, Pin28 and Pin 29 for dip SW mode As shown below :

Table1:

Pin27	Pin28	Pin29	Descriptions	Receiver Frequency
B2	B1	B0		
0	0	0	Pin 27, Pin 28, Pin 29 connect to GND.	5740MHz (CH1)
0	0	1	Pin 27 and Pin 28 connect to GND, Pin 29 OPEN.	5760MHz (CH2)
0	1	0	Pin 27 and Pin 29 connect to GND, Pin 28 OPEN.	5780MHz (CH3)
0	1	1	Pin 27 connect to GND, Pin 28 and Pin 29 OPEN.	5800MHz (CH4)
1	0	0	Pin 28 and Pin 29 connect to GND, Pin 27 OPEN.	5820MHz (CH5)
1	0	1	Pin 28 connect to GND, Pin 27 and Pin 29 OPEN.	5840MHz (CH6)
1	1	0	Pin 29 connect to GND, Pin 27 and Pin 28 OPEN.	5860MHz (CH7)

Channel setting voltage

High voltage	2.5V ~ 3.6V
Low voltage	< 1.0V

Minimum settling time

< 50ms

7. Absolute maximum ratings:

RF/ DC Parameters	Min.	Typ.	Max.	Unit
Storage Temperature Range	-25	-	85	°C
Supply voltage	4.5	-	5.5	V

The maximum rating must not be exceeded at any time. Do not operate the device under conditions outside the above.

8. DC/AC Electrical characteristic:

(VCC=DC +5V, 25°C)

RF/ DC Parameters	Min.	Typ.	Max.	Unit
Supply voltage	4.95	5	5.05	V
Supply current	190	200	210	mA
RF Input Level	-85		-10	dBm
Operating temperature	-10	-	60	°C
Operation Frequency Range	5725		5875	MHz
Channel Selection	PLL Synthesizer, 7CH (See Tab1)			
Channel Frequency	CH1 : 5740 MHz, CH2 : 5760 MHz CH3 : 5780 MHz, CH4 : 5800 MHz CH5 : 5820 MHz, CH6 : 5840 MHz CH7 : 5820 MHz.			
Video-Audio Modulation/Demodulation Type	FM-FM			
Video				
Output Signal Level	1V _{P-P} , typ. (+/-0.2Volt)			
Frequency Response	+/-5 dB, max. 50Hz~5.5MHz			
S/N Ratio (100KHz, 1V _{P-P} Sine Wave)	40dB, min.			
Audio				
Output Frequency Range	50Hz ~ 20KHz			
Output Signal Level (Modulation Signal : 1kHz Sine Wave)	1V _{p-p}			
RSSI				
RSSI output voltage (RF input -30dBm~-90dBm)	0.3~1.9V			
Module Flatness (Difference between max. and min. PCB heights above a flat surface)				
PCB bending	0.35mm, max.			

AIRWAVE TECHNOLOGIES INC.

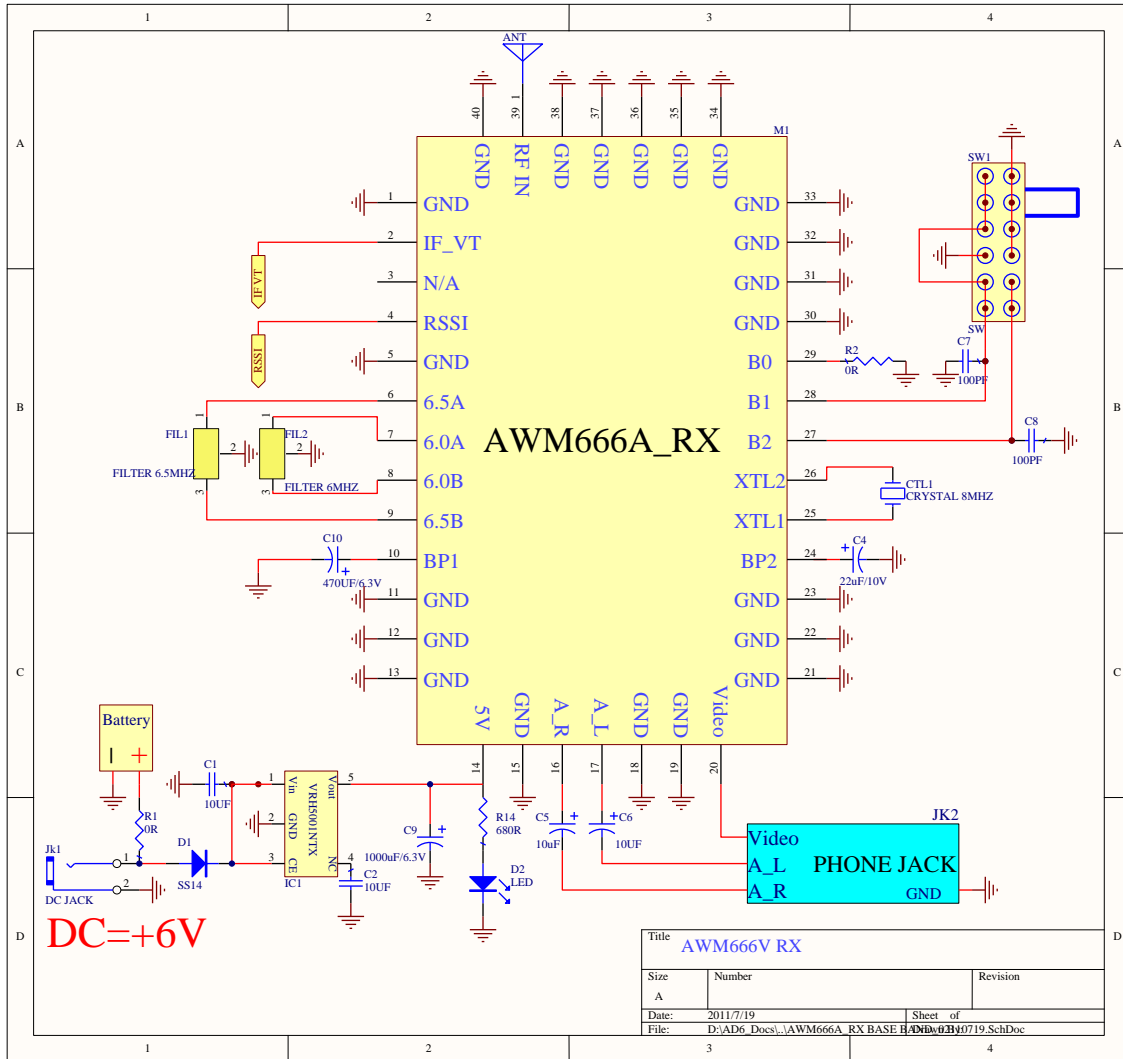
9. BOM of Demo Board

AWM666A_RX Demo Board part list

Part Type & Description	Quantity	Designator	Notes
0402, 0R	1	R2	
0603, 0R	2	R1 R3	
0603, 6.8MR	1	R5	
0402, 100PF	2	C7 C8	
0805, 10UF	2	C1 C2	
E/CAP 33UF(10V)	2	C5 C6	
E/CAP 22UF(10V)	1	C4	
E/CAP 470UF(10V)	1	C3	
E/CAP 1000UF(10V)	1	C9	
CERAMIC FILTER (DIP LTSH6.0MCB)	1	FIL1	友桂
CERAMIC FILTER (DIP LTSH6.5MCB)	1	FIL3	友桂
AT-39, CRYSTAL 8MHZ	1	CTL1	友桂
SWITCH(SK24D02G6)(DC 50V 0.3A/2P4T)	1	SW1	
VRH5001NTX(SOT23-5)	1	IC1	ANASEM
STERO PHONE JACK(TSH3724)	1	JK2	
POWER JACK DS-413	1	JK1	
AWM666	1	M1	AIRWAVE

AIRWAVE TECHNOLOGIES INC.

10. Demo Board circuit schematic



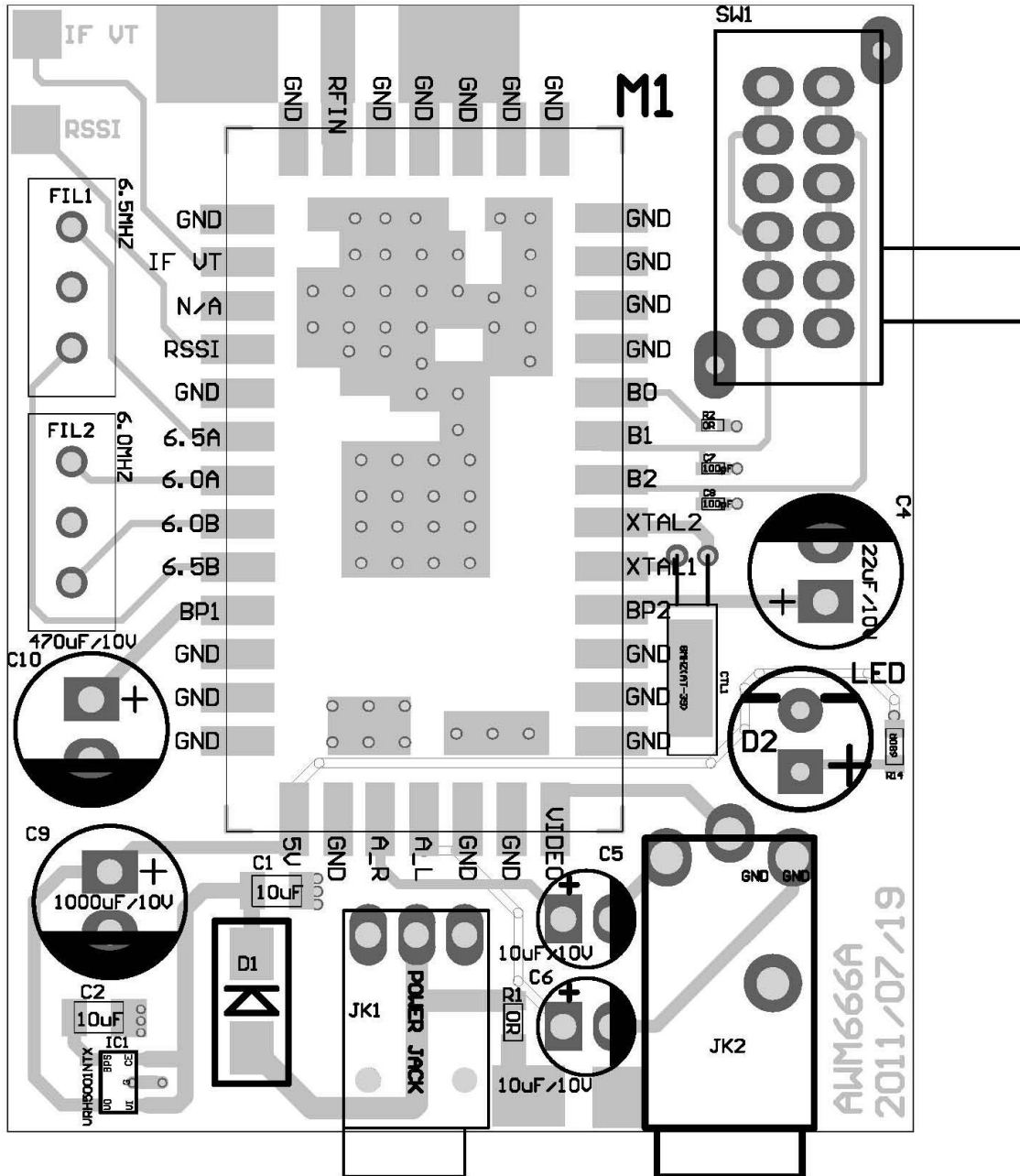
Notes :

Very low noise voltage regulator, such as 7805 or VRH5001NTX_SOT23-5 is required for IC1 ;otherwise a bypass with a value of at least 1000uF must be used for C9

11. BB PCB layout design guide

AIRWAVE TECHNOLOGIES INC.

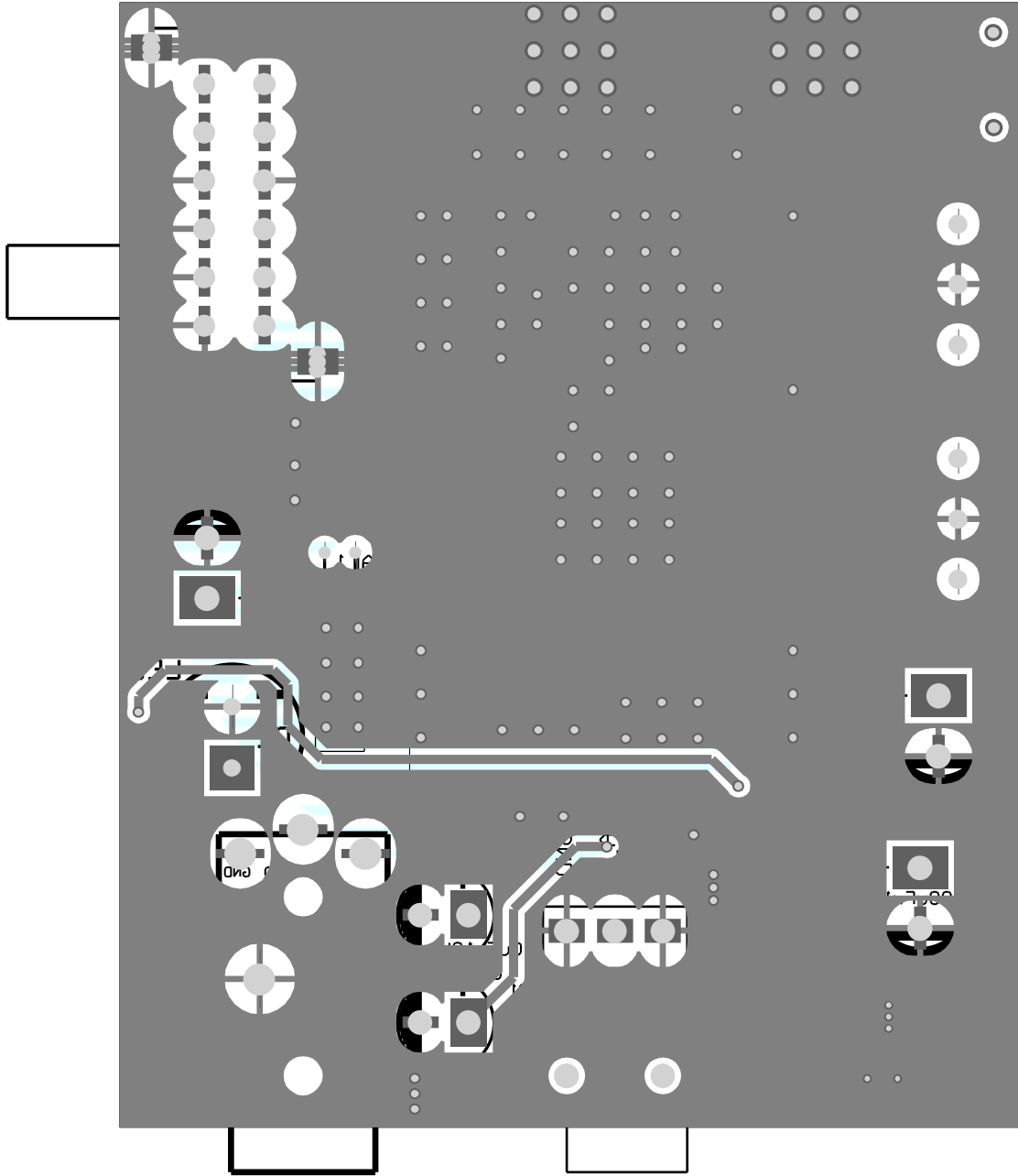
a. Top View of demo board PCB



DC= +6V

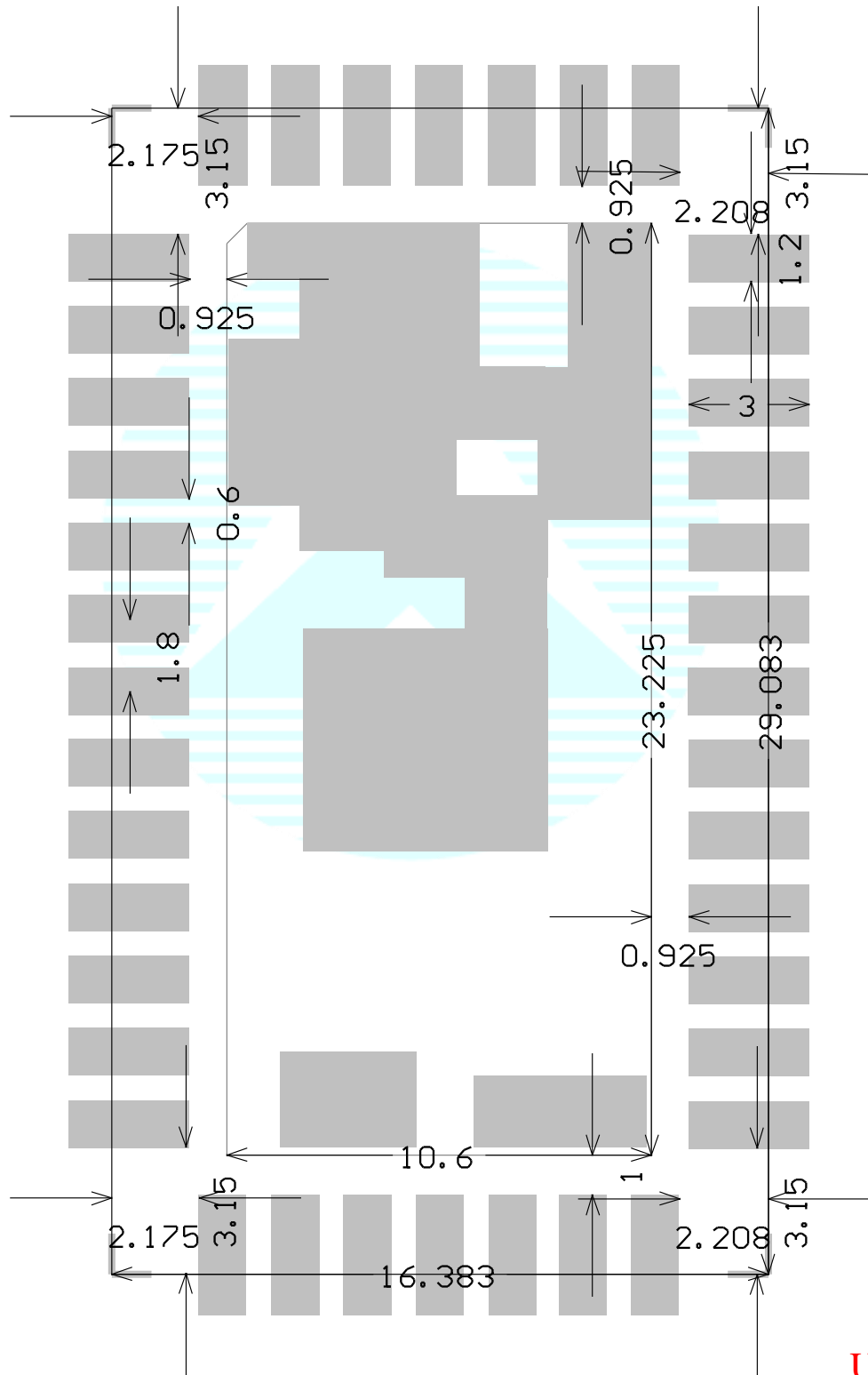
AIRWAVE TECHNOLOGIES INC.

b. Bottom View of demo board PCB



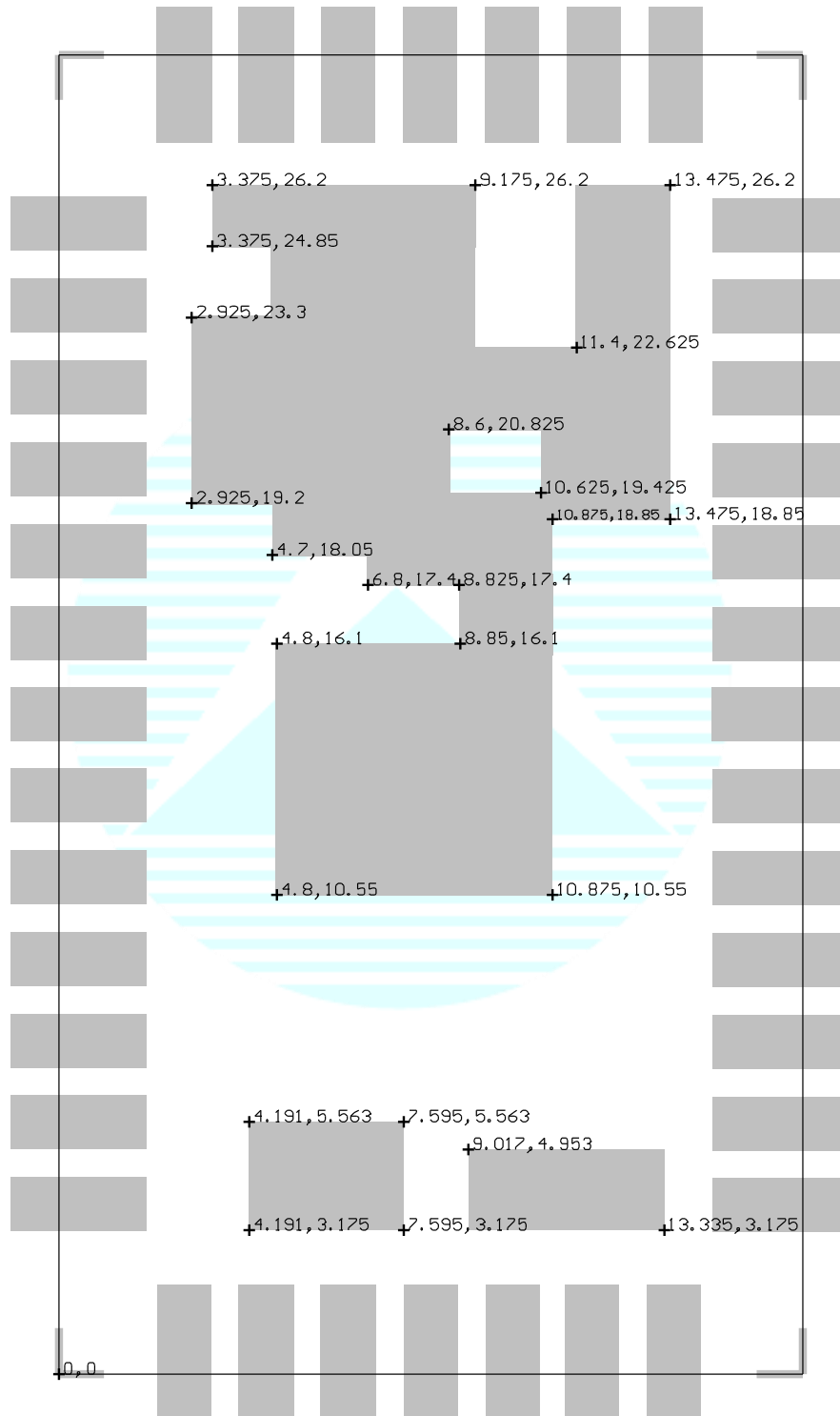
AIRWAVE TECHNOLOGIES INC.

13. Recommended BB PCB layout for AWM666A_RX



Unit: mm

AIRWAVE TECHNOLOGIES INC.



Unit: mm

AIRWAVE TECHNOLOGIES INC.