

# audiomate

DIGITAL AUDIO ADAPTOR

AM8152



GIVING YOU THE FREEDOM TO MOVE

## **Audiomate Digital Audio Adaptor**

The Audiomate Digital Audio Adaptor (AM8152) converts audio entertainment into wireless. This enables the freedom to move without the limitations of a cord, whilst still receiving high fidelity, stereo sound for up to 30 metres. Perfect for in-home use with stereo systems as well as mobile devices, and all audio equipment that uses a 3.5mm earphone jack. Simply plug the transmitter into any audio device and sync it to the receiver, connect your earphones or headphones and enjoy wireless audio with crystal-clear digital sound quality.

## **Product Features**

- ▶ 2.4GHz digital FHSS technology improved interference resistance and smooth audio streaming.
- ▶ Super high S/N and 20 ~ 20 KHz full range Hi-Fi stereo sound quality.
- ▶ Extremely simple Plug-and-Play design without any installations.
- ▶ Compatible with any type of earphones / headphone, active speakers and Hi-Fi gears.
- ▶ 360° omnidirectional transmission and reception for free roaming of up to 30m radius.
- ▶ Multiple receivers with single transmitter for wireless broadcasting applications.
- ▶ Compact and slim stylish design for comfortable long-time use and easy carrying.
- ▶ Auto channel tracking between receivers and transmitter.
- ▶ Automatic switch between MIC and music input modes by auto input detection.
- ▶ Built-in microphone for voice broadcasting.
- ▶ Built-in Li-ion rechargeable battery & charger for both transmitter and receiver.
- ▶ Compatible with Windows and Mac OS.

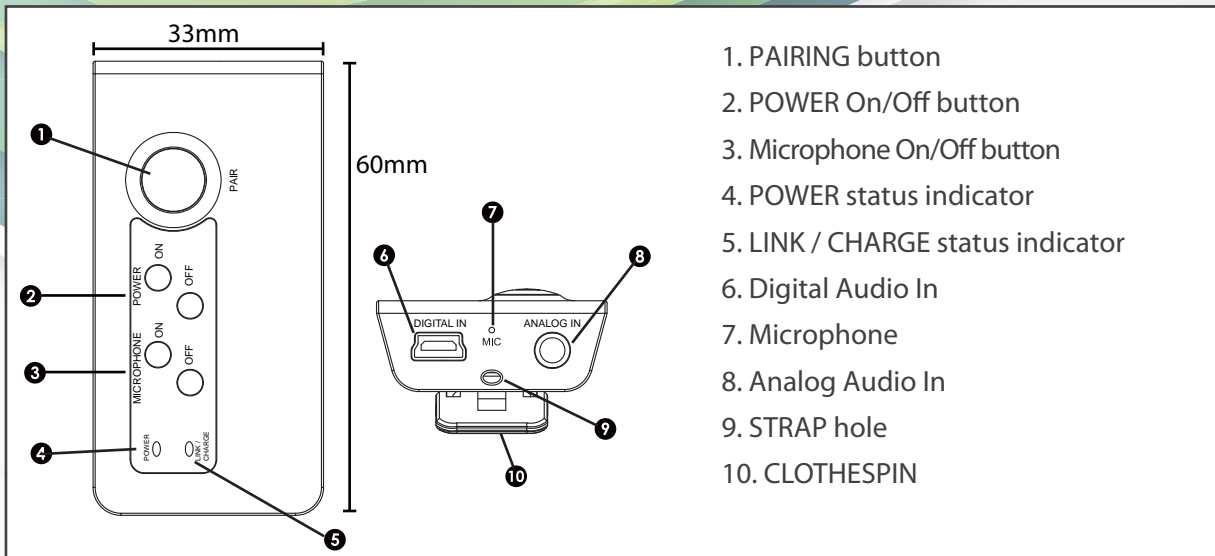


2.4  
GHz



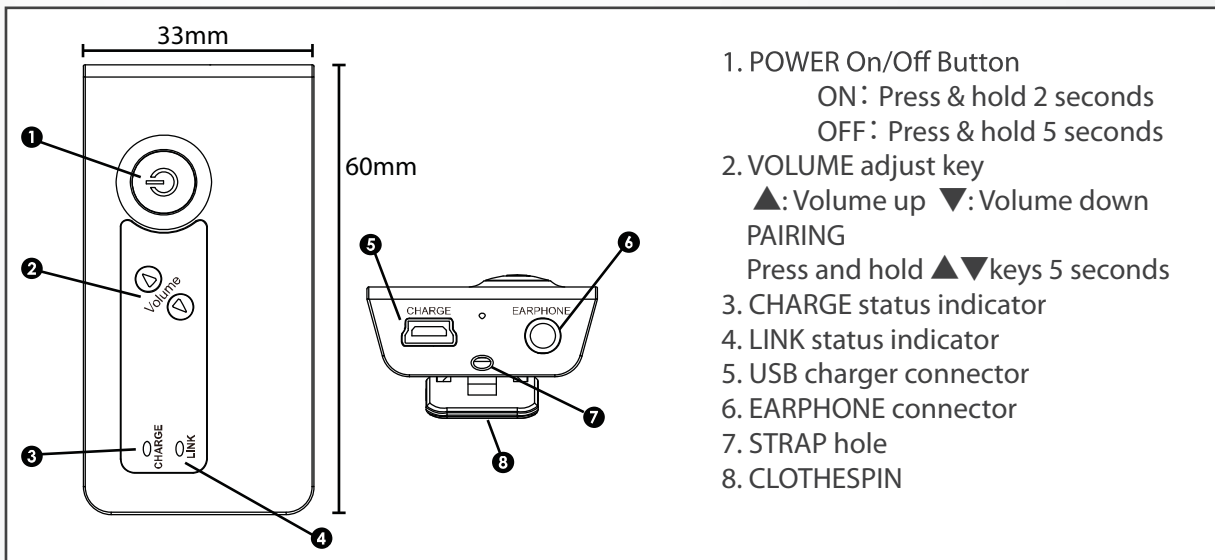
# VIEWS

## TRANSMITTER



1. PAIRING button
2. POWER On/Off button
3. Microphone On/Off button
4. POWER status indicator
5. LINK / CHARGE status indicator
6. Digital Audio In
7. Microphone
8. Analog Audio In
9. STRAP hole
10. CLOTHESPIN

## RECEIVER



1. POWER On/Off Button  
ON: Press & hold 2 seconds  
OFF: Press & hold 5 seconds
2. VOLUME adjust key  
▲: Volume up ▼: Volume down  
PAIRING  
Press and hold ▲▼ keys 5 seconds
3. CHARGE status indicator
4. LINK status indicator
5. USB charger connector
6. EARPHONE connector
7. STRAP hole
8. CLOTHESPIN

## Specifications

Supply Voltage	5V DC (RX charger and TX)
Current Consumption	TX: 68mA (Typ.)/RX: 37mA (Typ.)
Modulation	FHSS/GFSK
Channel Group Selection	Auto
Channel Frequency	2400 ~ 2483.5 MHz
Channel Group Number	4
TX Digital Audio Input	USB
TX Analogue Audio Input	3.5mm stereo phone jack
RX Analogue Audio Output	3.5mm stereo phone jack
TX & RX Battery Type	Built-in Li-ion battery
Audio Frequency Bandwidth	20 ~ 20KHz, -3dB
S/N Ratio	80 dB (min.)
THD	0.7% (max.)
Dimension	TX: 60 x 33 x 20mm/RX: 60 x 33 x 20mm
Weight	TX: 25g (Typ.)/RX: 23g (Typ.)