

# audiomate

Two-Way Wireless Audio Adaptor with Microphone

AM8212



Giving you the freedom to move

## ***Audiomate Two-Way Wireless Audio Adaptor with Microphone***

The Audiomate Two-Way Wireless Audio Adaptor with Microphone (AM8212) converts audio entertainment and computer conversations into wireless. This enables the freedom to move without the limitations of a cord, whilst still receiving high fidelity, stereo sound for up to 30 metres. Perfect for in-home use with PC/NB/tablet using a USB port, simply plug the transmitter into your PC and sync it to the receiver, connect your earphones or headphones and enjoy wireless audio with crystal-clear digital sound quality.

### ***Product Features***

- ▶ 2.4GHz digital FHSS technology for improved interference resistance and smooth audio streaming.
- ▶ Super high S/N and 20 ~ 20 KHz full range hi-fi stereo sound quality.
- ▶ Simple plug-and-play design; no installation required.
- ▶ Compatible with any earphones, speakers or stereo system.
- ▶ 360° omnidirectional transmission and reception for free-roaming of up to 30m radius.
- ▶ Compact and slim stylish design for comfortable use and easy to carry.
- ▶ Dual uses of wireless headphone and wireless headset for stereo audio and voice.
- ▶ Auto channel tracking.
- ▶ Built-in Li-ion rechargeable battery and charger for receiver.
- ▶ Built-in omnidirectional microphone in receiver.
- ▶ Compatible with Windows and Mac OS.

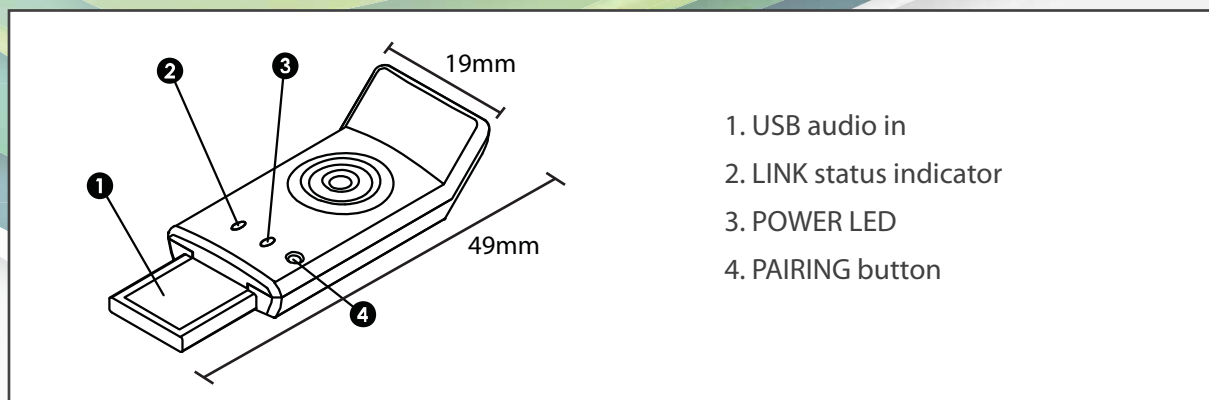


Designed for:

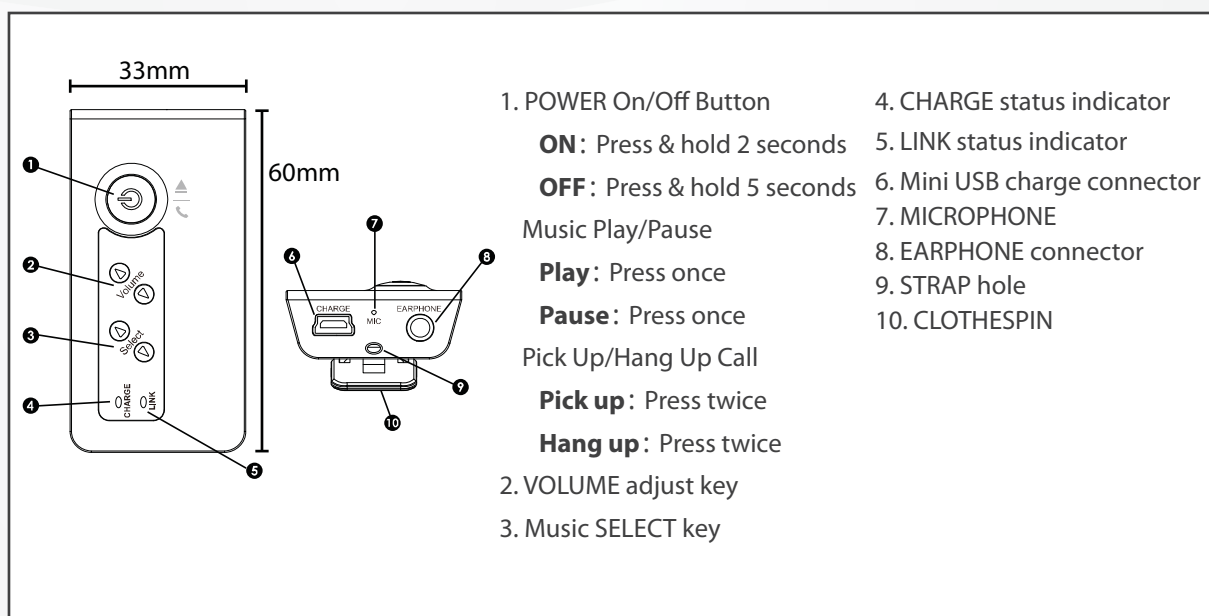


# Views

## Transmitter



## Receiver



## Specifications

Supply Voltage	5V DC (RX charger and TX)
Current Consumption	TX: 90mA (Typ.)/RX: 90mA (Typ.)
Modulation	FHSS/GFSK
Channel Group Selection	Auto
Channel Frequency	2400 ~ 2483.5 MHz
Channel Group Number	-
TX Audio Input	USB
RX Audio Output	3.5mm stereo phone jack
RX Battery Type	Built-in Li-ion battery
Audio Frequency Bandwidth	20 ~ 20KHz, -3dB
S/N Ratio	80 dB (min.)
THD	0.7% (max.)
Dimension	TX: 49 x 19 x 12mm/RX: 60 x 33 x 20mm
Weight	TX: 2g (Typ.)/RX: 25g (Typ.)

Can be used with:

