



Description

Airwave 2.4GHz Audio/Video wireless RF module contains one Transmitter and one Receiver. Using of the most popular 2.4GHz ISM band and designed with high reliability. Airwave RF module can transmit/receive a wide band audio & video signals up to 500 feet in open area.

Features

- Worldwide 2.4GHz ISM band
- Compact size and low power consumption
- Highly efficient FM-FM modulation/demodulation scheme
- Compatible with both NTSC and PAL video formats
- Integrating Audio/Video input and output into one module base-band PCB
- No external Audio circuit needed
- Channel selection is four channel and default value is ch4 (not enable). Other channel can be selected by pulling low to enable.

TECHNICAL SPECIFICATION

General

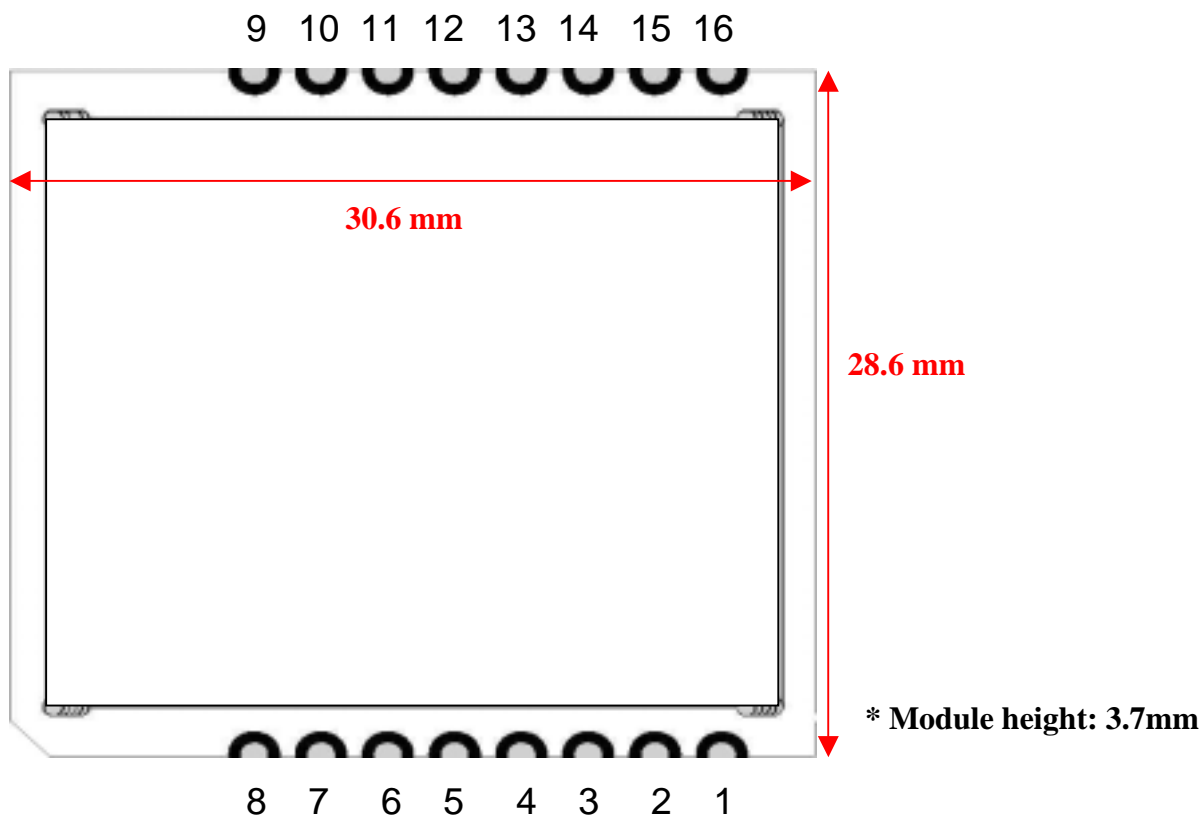
Operation Frequency Range	2400 ~ 2483MHz
Channel Selection	PLL Synthesizer, 4CH.
Channel Frequency	Ch1: 2414MHz, CH2: 2432MHz, CH3: 2450MHz, CH4: 2468MHz
Video-Audio Modulation/Demodulation Type	FM-FM
Operating Ambient Temperature	-10 ~ 60

Transmitter

Supply Voltage	DC + 3.3V (± 2%)
Supply Current	450~ 600mA, typ.
Output Power	27dBm , typ
2.4GHz Carrier Frequency Accuracy	±100KHz, typ.
Antenna Port Impedance	50
Video Input Impedance	75
Video Input Level	1V _{P-P} , typ.
Audio Input Level	3V _{P-P} , max.

AIRWAVE TECHNOLOGIES INC.

Pad Description



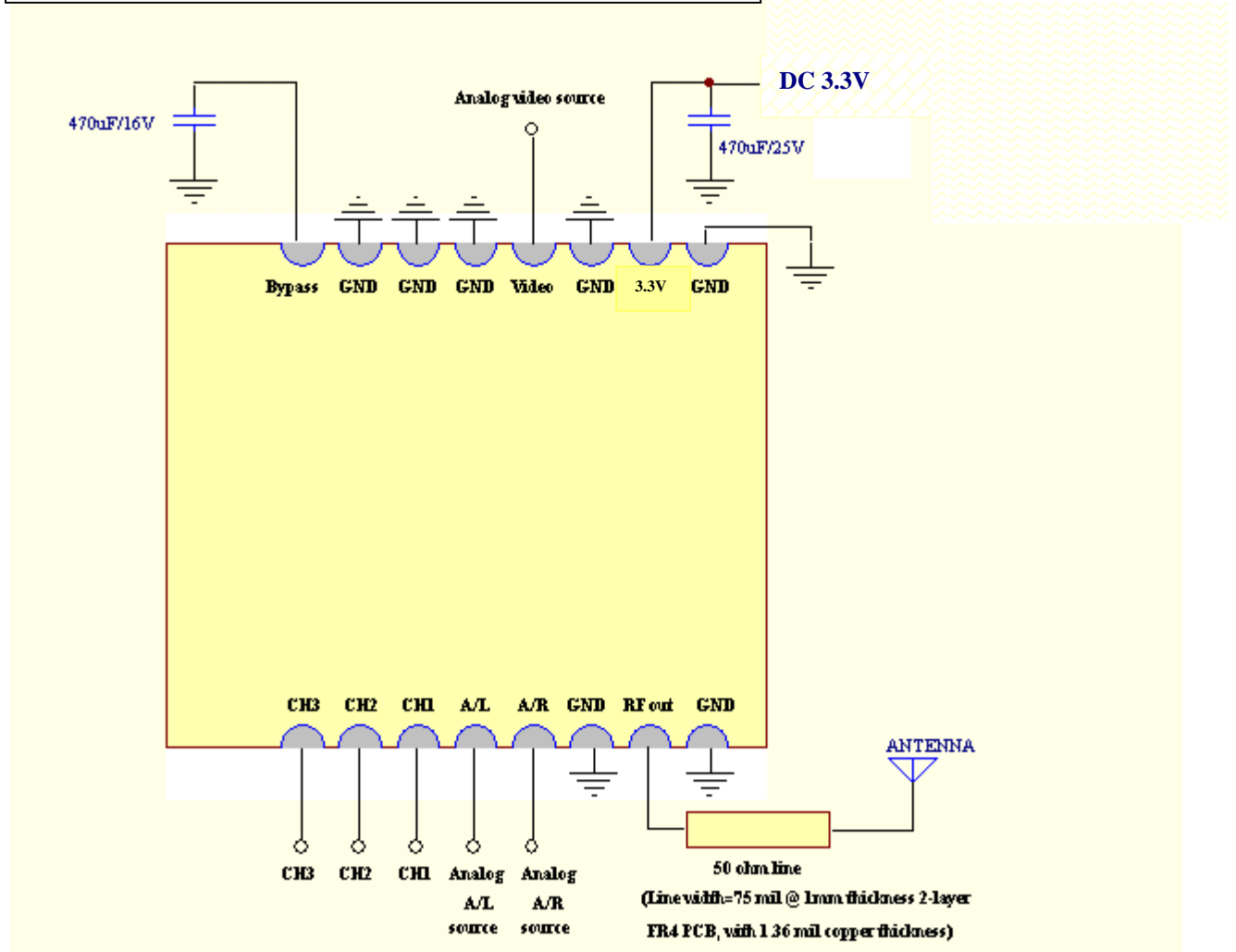
(NOTE: Channel selection default value is ch 4)

Pin	Function	Pin	Function
1	GND	9	Bypass
2	RF out	10	GND
3	GND	11	GND
4	Audio/R in	12	GND
5	Audio/L in	13	Video in
6	CH1	14	GND
7	CH2	15	DC +3.3V
8	CH3	16	GND

AIRWAVE TECHNOLOGIES INC.

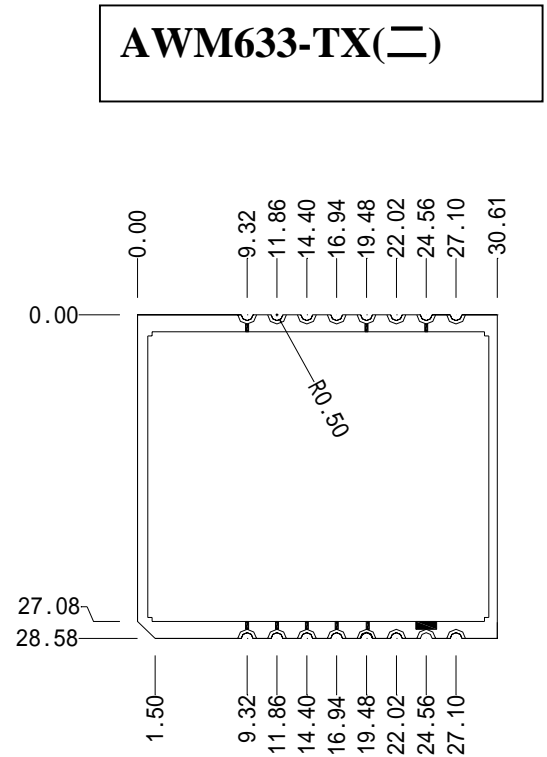
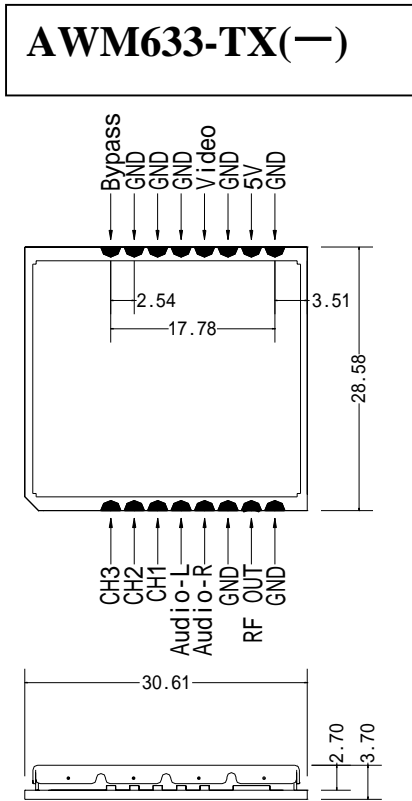
Application Schematic

AWM633TX Reference Application Schematic



AIRWAVE TECHNOLOGIES INC.

Dimension



Unit:mm Tolerance:±0.15

AIRWAVE TECHNOLOGIES INC.